

Digital dividend

How big is the slice of cake

François Rancy

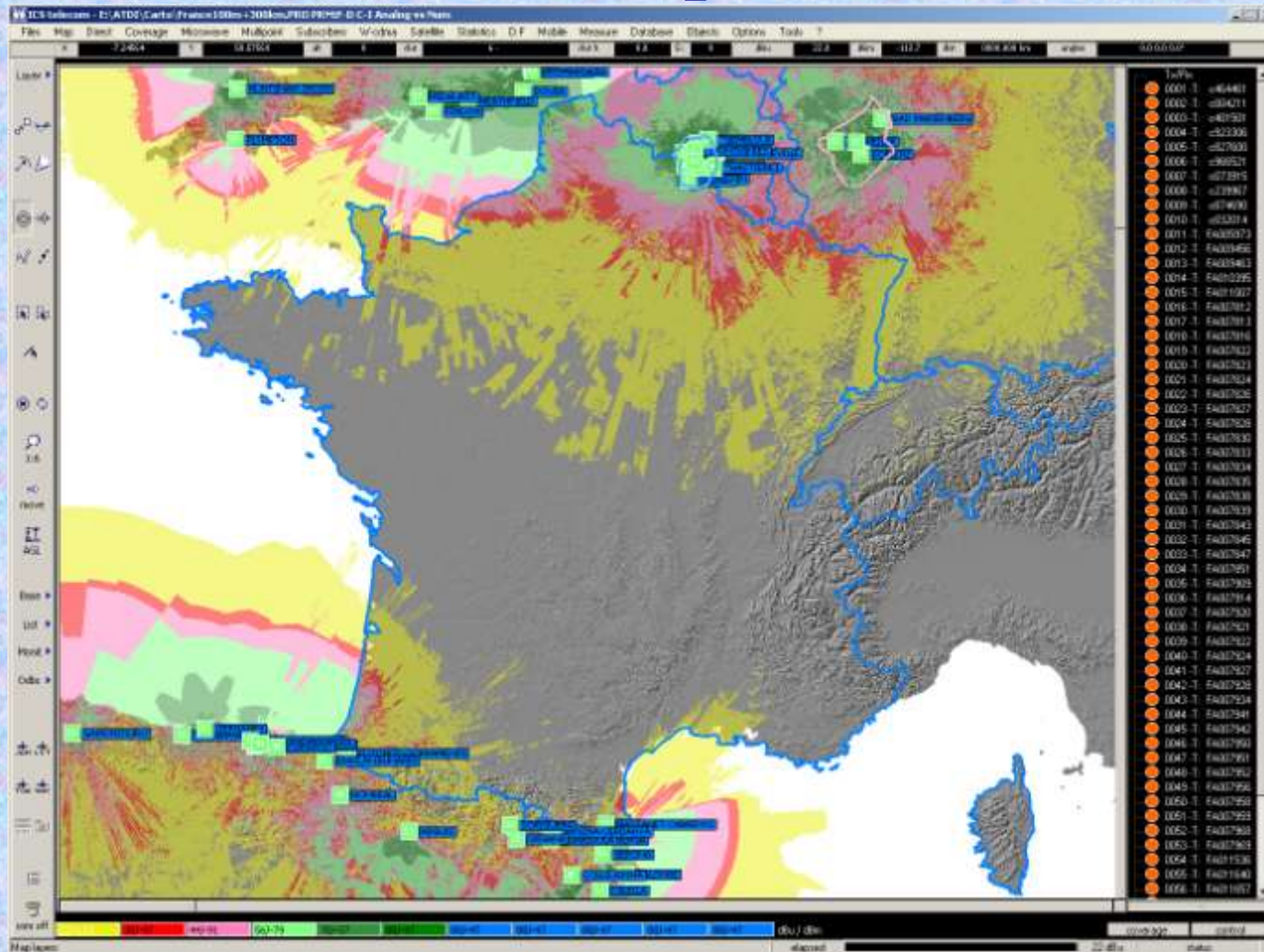
It depends !

- On switching off analog television
- On how digital television will develop
- On what neighbouring countries do
- On international spectrum harmonisation

How digital TV will develop

- DTT development and acceptance requires more programs, higher quality
- Efficient use of spectrum of spectrum requires:
 - MPEG4
 - Complex modulations (64QAM, TVB-T2,...)
 - Single frequency networks and more transmit sites
- This has a cost
 - For broadcasters
 - For customers
 - For the Government.

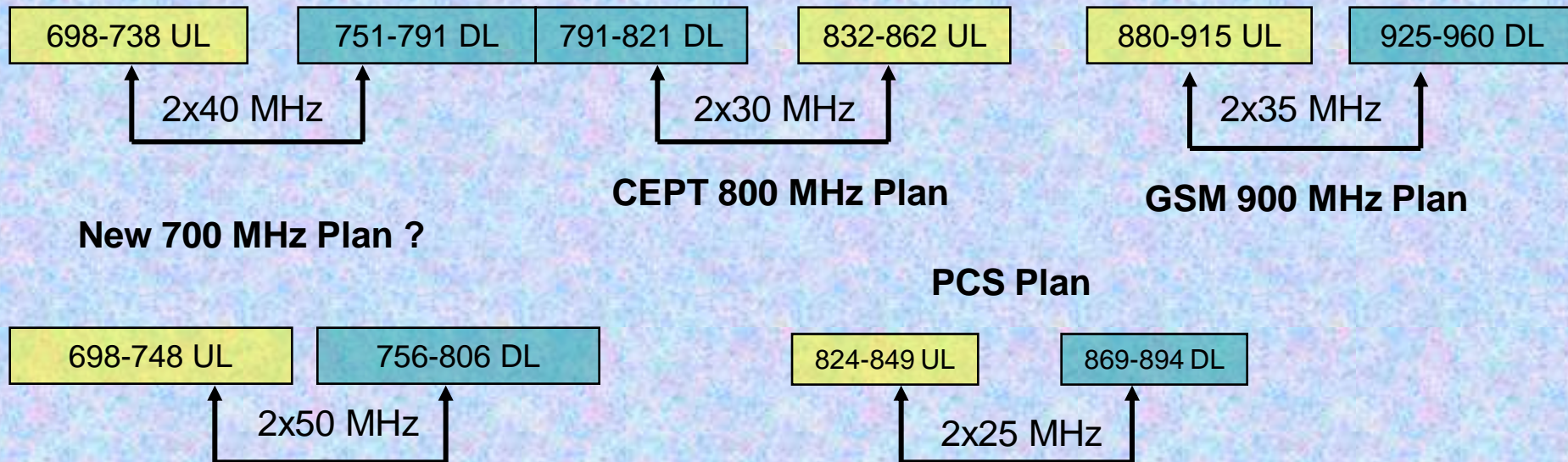
Interference from GE-06 plan entries into mobile uplinks



International harmonisation

- WRC-07 decisions:
 - 791-862 MHz identified for IMT in all three ITU Regions
 - 698-862 MHz identified for IMT in Region 2 and in 12 countries of Region 3
- Harmonisation of channelling plans is under way.

International harmonisation



Conclusion

- Before you eat the pie...
- You have to cook it!